



Philips
LUXEON 3030
LEDs

PS₅

Street Light LED 150 W



PS₅

Street Light LED 150 W General Specifications

Product type : Street Light
 Mounting type : Arms up to 2 inches (pole-wall)
 Description : The PS5 series is street lighting luminaires led and gear technologies. Its design ensures optimum optical control and high corrosion resistance. Its housing makes it suitable for use in street lighting, motorways as well as highways and parking areas.
 Category : Outdoor light
 Applications : Street, parking and bridges.



Philips
LUXEON 3030
LEDs

Lighting Specifications

Wattage : 150 w
 lumen : 19.500 lm
 Efficacy : ≥130 lm/w
 Power Factor : 0.95
 CRI : ≥80
 Color temperature : 3000 k : 6500 k
 Rated lifetime : 30,000 hrs.

Physical Specifications

Body : Die cast aluminum body
 Finishes : Electrostatic painting for outdoor
 Diffuser : Tempered glass
 Thermal Dissipation : Passive

Color

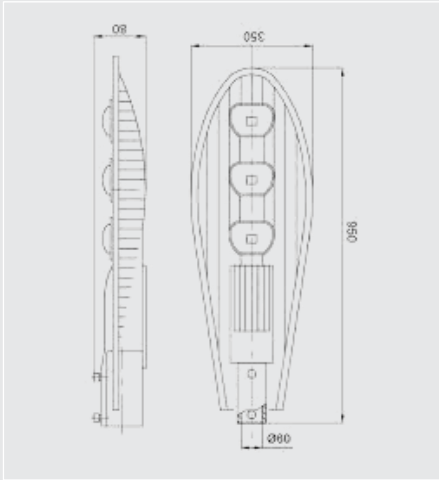
Gray-white



Electrical Specifications

Driver : Power led
 Wide input range : 90-265 v ac
 Full power output at : 70~100%
 Metal case with : ip67
 High power factor : pf > 0.98
 DC : 1500 ma
 Frequency : 50 HZ

LIFE TIME >30,000 HRS.AND 3YEARS WARRANTY

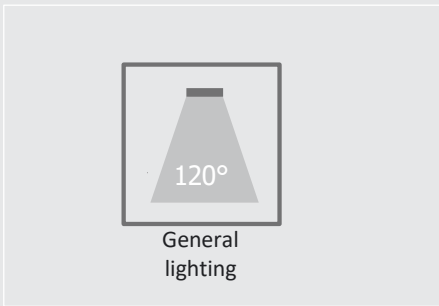


Dimensions

Length	: 650 mm
Width	: 30 mm
Height	: 80mm
Weight	: 4 kg~4,300 kg

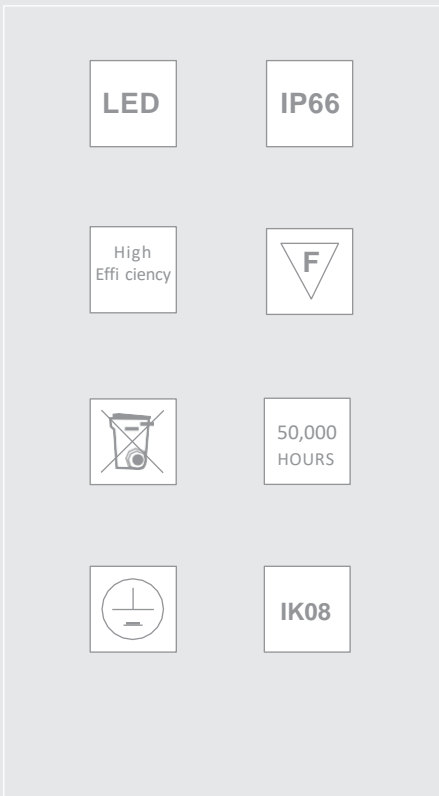
Optical Specifications

Light emission	Lenses
----------------	--------



Light technical data

Warm-up time (60 %)	< 0.5 s
Rated beam angle	120.00 °
Starting time	< 0.5 s



Lifespan

Lifespan	30,000HRS
Warranty	18 Months
Number of switching cycles	100,000

Certificates & standards

Type of protection	IP65
Standards	CE
Energy efficiency class	A++
Energy consumption	150 Kwh/1000h

Temperatures & operating conditions

Ambient temperature range	-10 +60°C
Maximum temperature at tc test point	75 °C

