



Philips
LUXEON 3030
LEDs

PS6

Street Light LED 100 W



PS₆

Street Light LED 100 W

General Specifications

Product type : Street Light
 Mounting type : Arms up to 2 inches (pole-wall)
 Description : The PS6 series is street lighting luminaires led and gear technologies. Its design ensures optimum optical control and high corrosion resistance. Its housing makes it suitable for use in street lighting, motorways as well as highways and parking areas.
 Category : Outdoor light
 Applications : Street, parking and bridges.



Philips
LUXEON 3030
LEDs

Lighting Specifications

Wattage : 100 w
 lumen : 14000 lm
 Efficacy : ≥ 140 lm/w
 Power Factor : 0.95
 CRI : ≥ 80
 Color temperature : 3000 k : 6500 k
 Rated lifetime : 50,000 hrs.

Physical Specifications

Body : Die cast aluminum body
 Finishes : Electrostatic painting for outdoor
 Diffuser : Tempered glass
 Thermal Dissipation : Passive

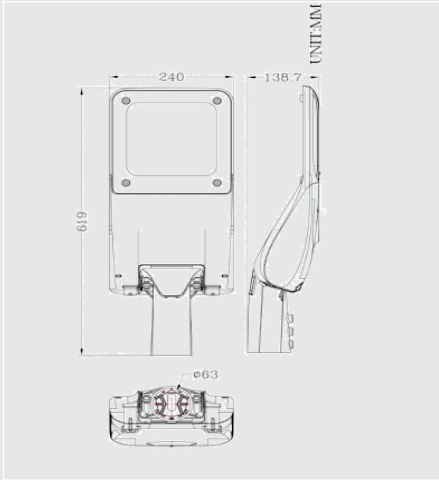
Color

Gray-white



Electrical Specifications

Driver : Mean well
 Wide input range : 100-305 v ac
 Full power output at : 70~100%
 Metal case with : ip67
 Surge protection with : 6kv/4kv
 Protection functions : ovp/scp/ocp/otp
 Frequency : 50 HZ
 Life time >50,000 hrs.and 5years warranty

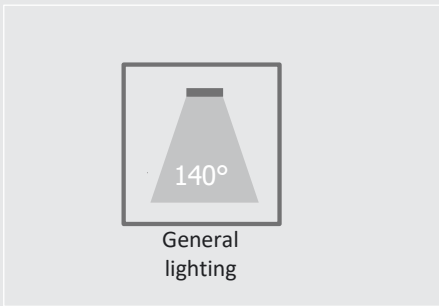


Dimensions

Length	:475 mm
Width	:360 mm
Height	:60mm
Weight	:4 kg~4,300kg

Optical Specifications

Light emission	Lenses
----------------	--------



Light technical data

Warm-up time (60 %)	< 0.5 s
Rated beam angle	140.00 °
Starting time	< 0.5 s

LED	IP66
High Efficiency	F
	50,000 HOURS
	IK08

Lifespan

Lifespan	50,000HRS
Warranty	5 Years
Number of switching cycles	100,000

Certificates & standards

Type of protection	IP65
Standards	CE
Energy efficiency class	A++
Energy consumption	100 Kwh/1000h

Temperatures & operating conditions

Ambient temperature range	-10 +60°C
Maximum temperature at tc test point	75 °C

