



Philips
LUXEON 3030
LEDs

G3

Flood Light LED 600 W



P₃

Flood Light LED 600 W

General Specifications

Product type : Flood Light

Mounting type : By bracket

Description : P3 floodlights are ideal for outdoor use that ensure an excellent quality of light, it has an optimized weight and size due to its compact design, very homogenous light, energy saving up to 90% comparing to traditional floodlights.

Category : Outdoor light

Applications : Warehouse, parking, advertising signs and façade lighting.



Philips
LUXEON 3030
LEDs

Lighting Specifications

Wattage : 600 w

lumen : 90.000 lm

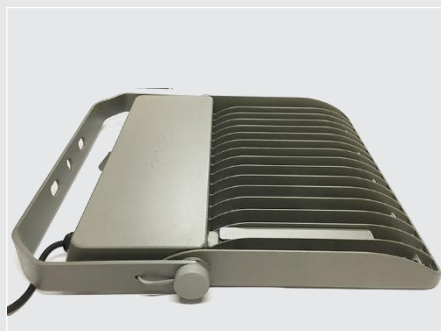
Efficacy : ≥ 150 lm/w

Power Factor : 0.98

CRI : ≥ 80

Color temperature : 6500 k

Rated lifetime : 50,000 hrs.



Physical Specifications

Body : Die cast aluminum body

Finishes : Electrostatic painting for outdoor

Diffuser : Tempered glass

Thermal Dissipation : Passive

Color

Silver gray



Electrical Specifications

Driver : PHILIPS Xitanium

Wide input range : 85-305 V AC

Full power output at : 70~100%

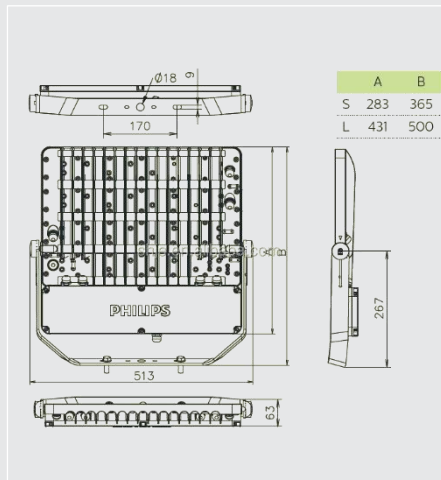
Metal case with : IP67

Surge protection with : 6kv/4kv

Protection functions : OVP/SCP/OCP/OTP

Frequency : 44...66 Hz

Life time >50,000 hrs.and 5years warranty

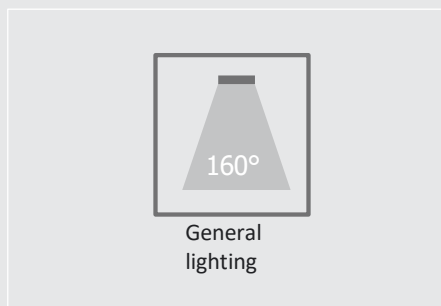


Dimensions

Length	: 500 mm
Width	: 513 mm
Height	: 63mm
Weight	: 8 kg~8,300 kg

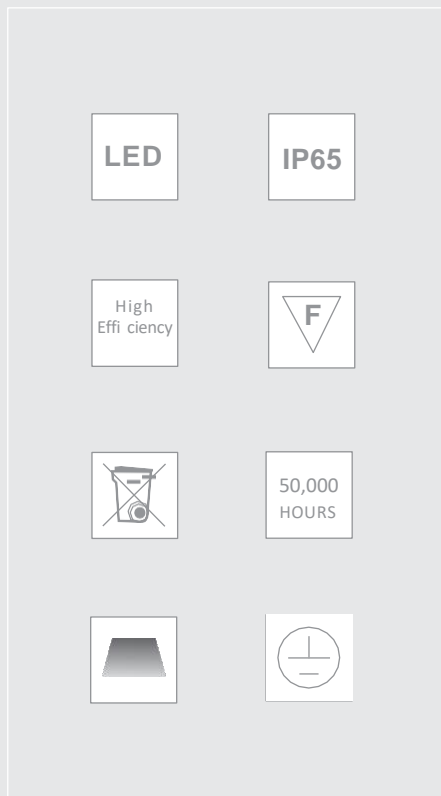
Optical Specifications

Light emission Lenses



Light technical data

Warm-up time (60 %)	< 0.5 s
Starting time	< 0.5 s
Rated beam angle	160.00 °



Lifespan

Lifespan	50,000HRS
Warranty	5 Years
Number of switching cycles	100,000

Certificates & standards

Type of protection	IP65
Standards	CE
Energy efficiency class	A++
Energy consumption	600 Kwh/1000h

Temperatures & operating conditions

Ambient temperature range -10 +75°C

