



P₃

INDOOR



Product Code

LED 5 W

General Specifications

Product type : LED Downlight

Mounting type : Recessed)

Description : P3 downlight is a Series of LED luminaires that provide quality of light, which increases the comfort level while providing significant energy savings. Its sleek design makes it ideal for use in offices, sales areas, showrooms, lounges, corridors, supermarkets, banks and hospitals.

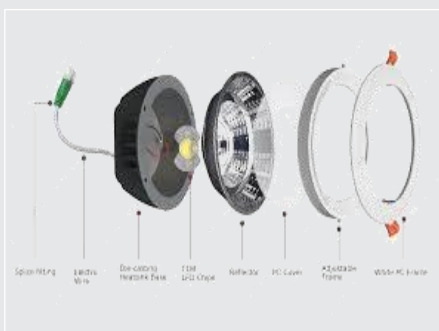
Category : Indoor light

Applications : Offices, schools, hospitals, hotels, retail and residential.



Lighting Specifications

Wattage	: 5 w
lumen	: 600 lm
Efficacy	: ≥120 lm/w
Power Factor	: 0.65
CRI	: ≥80
Color temperature	: 3000 k : 4000k : 6500 k
Rated lifetime	: 30,000 hrs.

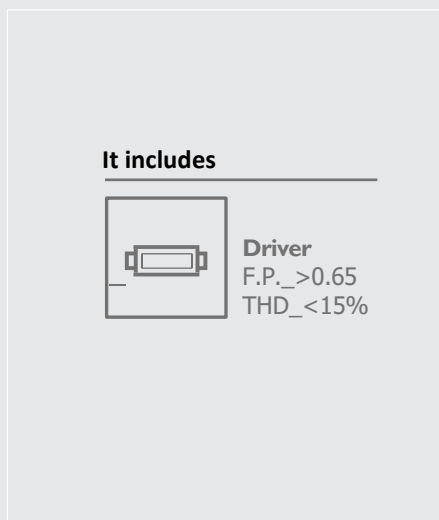


Physical Specifications

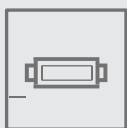
Body	: Die cast aluminum body
Finishes	: Electrostatic painting for outdoor
Diffuser	: Tempered glass
Thermal Dissipation	: Passive

Color

Gray-white



It includes



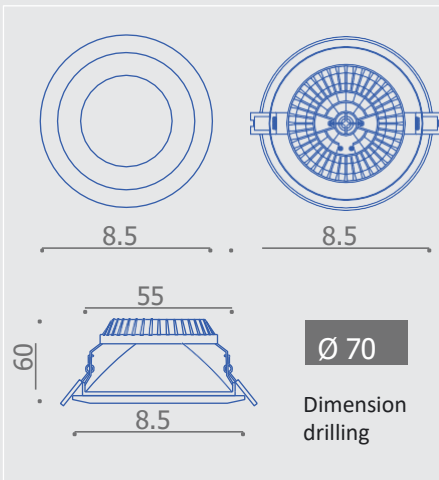
Driver
F.P._>0.65
THD_<15%

Electrical Specifications

Driver	: Hi power
Wide input range	: 100-270 v ac
Full power output at	: 70~100%
Metal case with	: ip44
Surge protection with	: no
Protection functions	: ---
Frequency	: 50 HZ
LIFE TIME >30,000 HRS.AND 2YEARS WARRANTY	



INDOOR

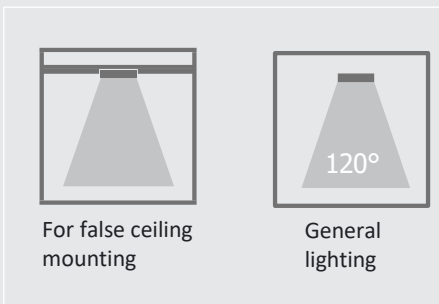


Dimensions

Length	: 740 mm
Width	: 300 mm
Height	: 121 mm
Weight	: 6 kg~6,300 kg

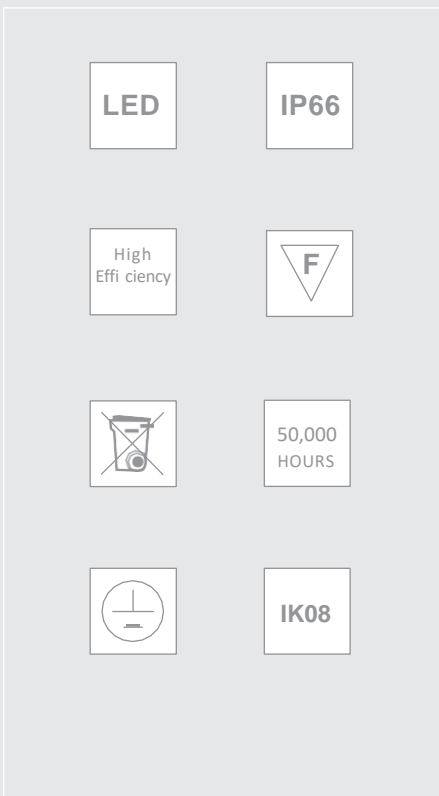
Optical Specifications

Light emission	: Direct
----------------	----------



Light technical data

Warm-up time (60 %)	< 0.5 s
Starting time	< 0.5 s
Rated beam angle	120.00 °



Lifespan

Lifespan	30,000HRS
Warranty	2 Years
Number of switching cycles	20,000

Certificates & standards

Type of protection	IP44
Standards	CE
Energy efficiency class	A++
Energy consumption	5 Kwh/1000h

Temperatures & operating conditions

Ambient temperature range	-10 +40°C
---------------------------	-----------------

