



## G<sub>2</sub> Flood Light LED 115 W

### General Specifications

Product type : Flood Light

Mounting type : By bracket

Description : G2 floodlights are ideal for outdoor use that ensure an excellent quality of light, it has an optimized weight and size due to its compact design, very homogenous light, energy saving up to 90% comparing to traditional floodlights.

Category : Outdoor light

Applications : Warehouse, parking, advertising signs and façade lighting.



Philips  
LUXEON 3030  
LEDs

### Lighting Specifications

Wattage : 115 w

lumen : 17.250 lm

Efficacy :  $\geq 150$  lm/w

Power Factor : 0.98

CRI :  $\geq 80$

Color temperature : 6500 k

Rated lifetime : 50,000 hrs.



### Physical Specifications

Body : Die cast aluminum body

Finishes : Electrostatic painting for outdoor

Diffuser : Tempered glass

Thermal Dissipation : Passive

### Color

Silver gray



### Electrical Specifications

Driver : Mean Well

Wide input range : 100-305 V AC

Full power output at : 70~100%

Metal case with : IP67

Surge protection with : 6kv/4kv

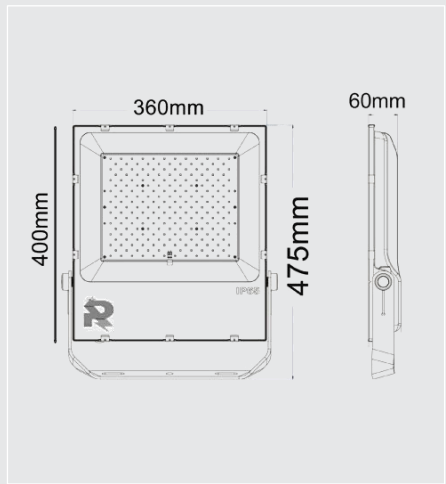
Protection functions : OVP/SCP/OCP/OTP

Frequency : 50 Hz

Life time >50,000 hrs. and 5 years warranty



OUT DOOR

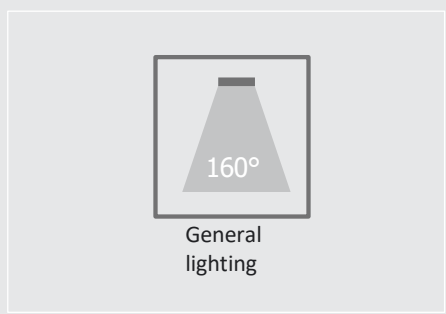


### Dimensions

Length	: 475 mm
Width	: 360 mm
Height	: 60mm
Weight	: 4 kg~4,300 kg

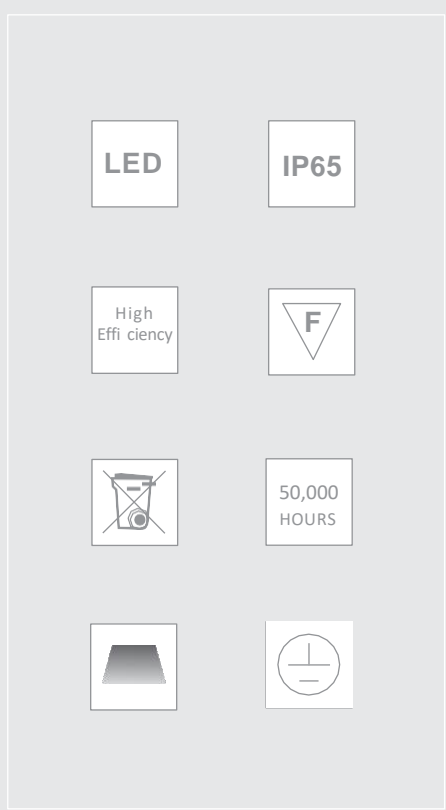
### Optical Specifications

Light emission	Lenses
----------------	--------



### Light technical data

Warm-up time (60 %)	< 0.5 s
Starting time	< 0.5 s
Rated beam angle	160.00 °



### Lifespan

Lifespan	50,000HRS
Warranty	5 Years
Number of switching cycles	100,000

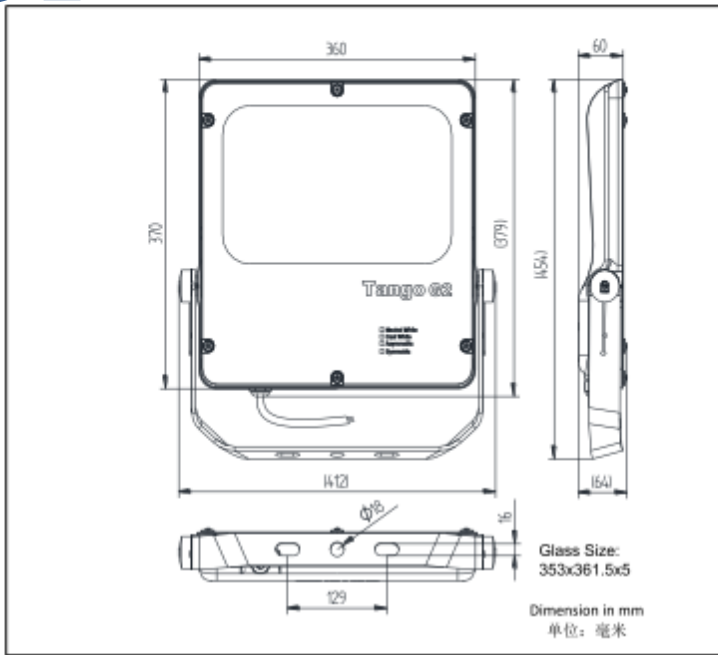
### Certificates & standards

Type of protection	IP65
Standards	CE
Energy efficiency class	A++
Energy consumption	115 Kwh/1000h

### Temperatures & operating conditions

Ambient temperature range	-10 ..... +75°C
---------------------------	-----------------





1. Switch off power before operation.

操作前请务必关闭电源。

2. The luminaire should be replaced immediately if any crack or deterioration.

若灯具破损，请勿继续使用。

3. The Luminaire should be installed by a qualified electrician and wired in accordance with the latest IEC-60364-7-714 regulations or the national requirements.

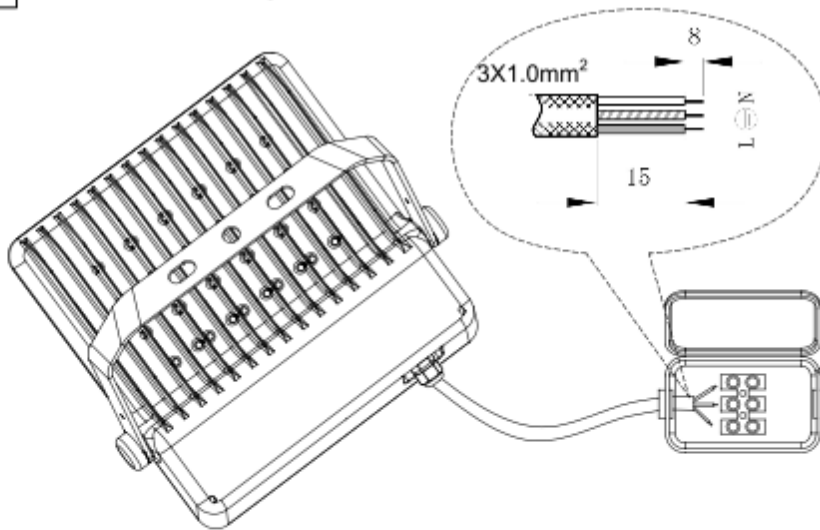
灯具应由有资格的电工安装，接线要符合IEC-60364-7-714标准或国家标准。

4. The connection of power cable on luminaire is type Y.

该灯具上的电源线缆属Y型连接。

1

Connect the power cord 接电源线

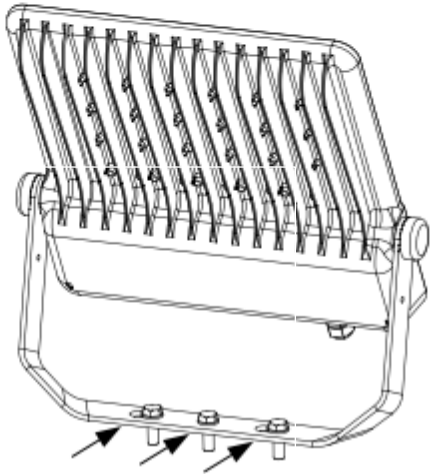


蓝色线: N (Blue: N)  
黄绿线: 接地 (Yellow-Green: GND)  
棕色线: L (Brown: L)

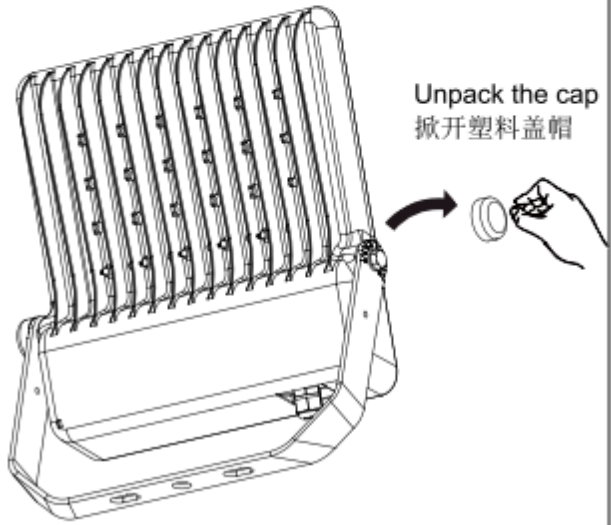
Watertight IP65  
防水接线盒 IP65

\* No Supplied Watertight Box  
本灯具不提供防水接线盒

**2** Install the luminaire according to the national regular and make sure it will not fall off.  
按照国家标准安装固定好灯具，确保其不会掉落。

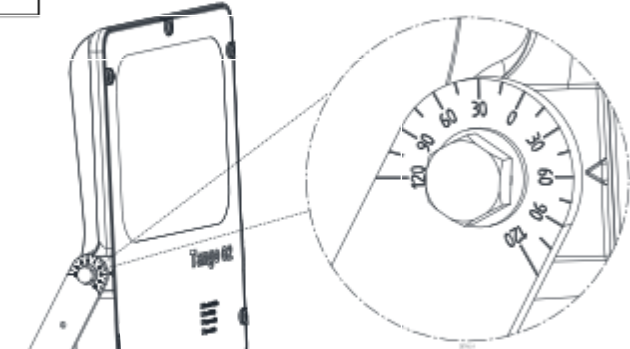


**3**



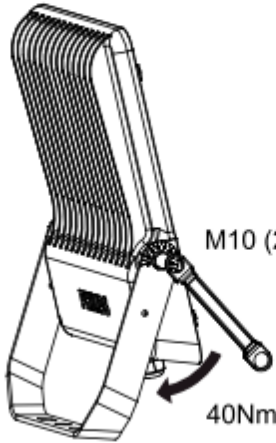
Unpack the cap  
掀开塑料盖帽

**4**



Adjust the luminaire to a Proper Angle  
根据需要将灯具调整到合适的角度

**5**



M10 (2x)  
Fasten the bolt  
锁紧两侧紧固螺栓  
40Nm

**6**

Cover the plastic cap on the bolts  
盖上两侧塑料盖帽

