



OUT DOOR



G2

Flood Light LED 150 W

General Specifications

Product type : Flood Light
 Mounting type : By bracket
 Description : G2 floodlights are ideal for outdoor use that ensure an excellent quality of light, it has an optimized weight and size due to its compact design, very homogenous light, energy saving up to 90% comparing to traditional floodlights.
 Category : Outdoor light
 Applications : Warehouse, parking, advertising signs and façade lighting.



Philips LUXEON 3030 LEDs

Lighting Specifications

Wattage : 150 w
 lumen : 22.500 lm
 Efficacy : ≥ 150 lm/w
 Power Factor : 0.98
 CRI : ≥ 80
 Color temperature : 6500 k
 Rated lifetime : 50,000 hrs.



Physical Specifications

Body : Die cast aluminum body
 Finishes : Electrostatic painting for outdoor
 Diffuser : Tempered glass
 Thermal Dissipation : Passive

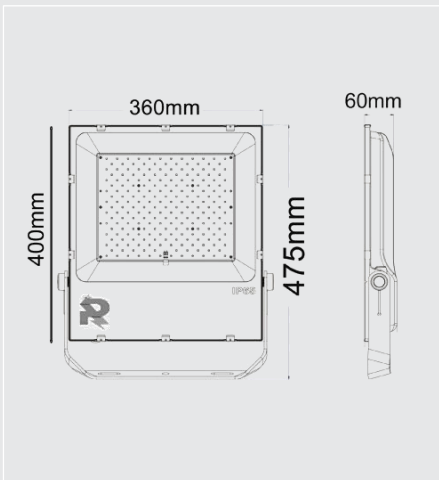
Color

Silver gray



Electrical Specifications

Driver : Mean Well
 Wide input range : 100-305 V AC
 Full power output at : 70~100%
 Metal case with : IP67
 Surge protection with : 6kv/4kv
 Protection functions : OVP/SCP/OCP/OTP
 Frequency : 50 Hz
 Life time >50,000 hrs.and 5years warranty

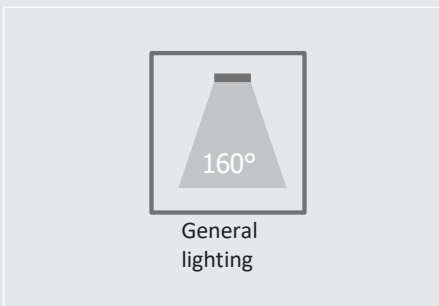


Dimensions

Length	: 475 mm
Width	: 360 mm
Height	: 60mm
Weight	: 4 kg~4,300 kg

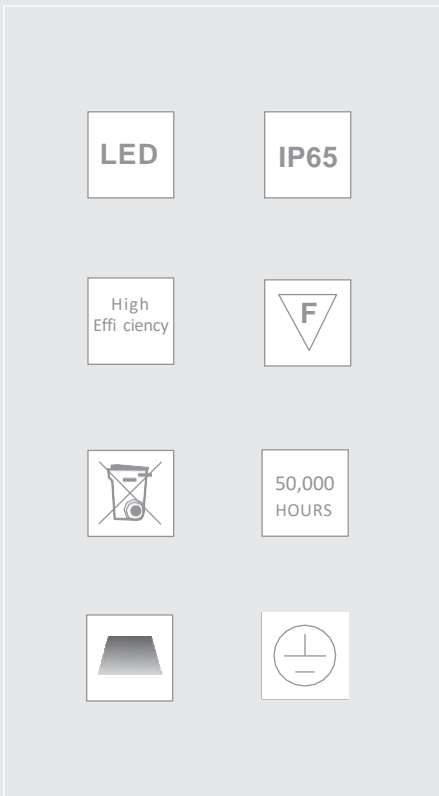
Optical Specifications

Light emission	Lenses
----------------	--------



Light technical data

Warm-up time (60 %)	< 0.5 s
Starting time	< 0.5 s
Rated beam angle	160.00 °



Lifespan

Lifespan	50,000HRS
Warranty	5 Years
Number of switching cycles	100,000

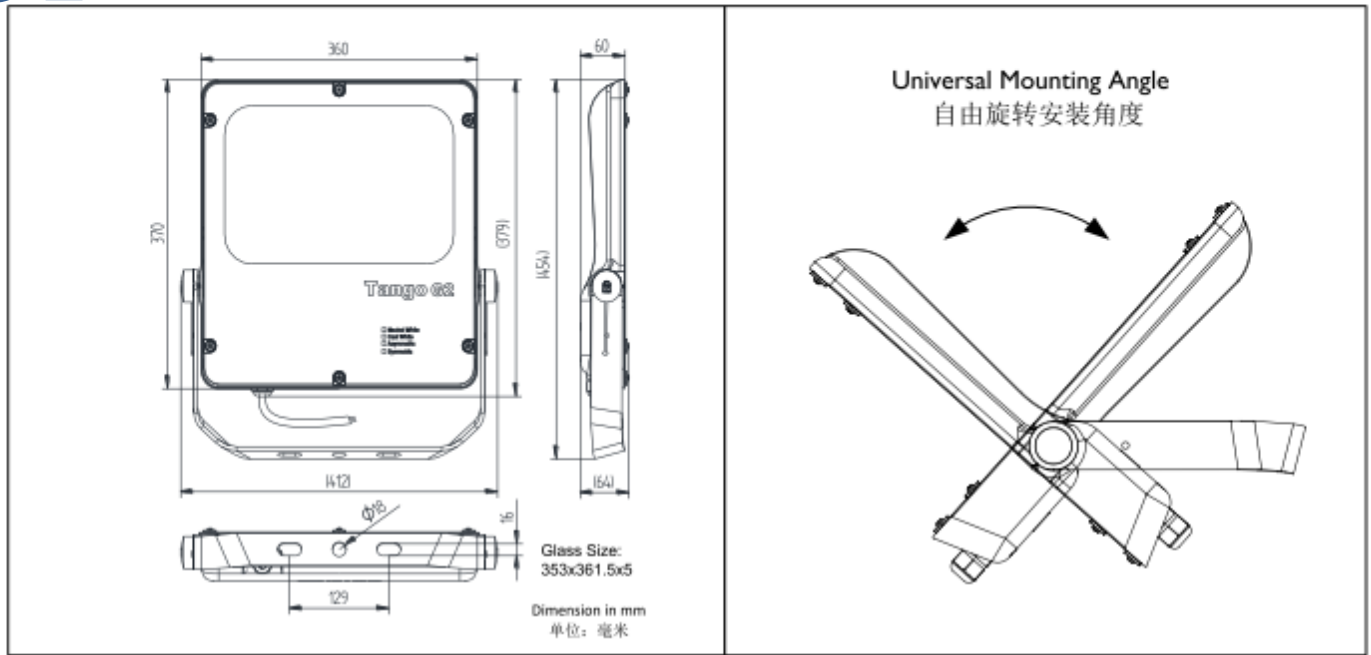
Certificates & standards

Type of protection	IP65
Standards	CE
Energy efficiency class	A++
Energy consumption	150 Kwh/1000h

Temperatures & operating conditions

Ambient temperature range	-10 +75°C
---------------------------	-----------------





1. Switch off power before operation.

操作前请务必关闭电源。

2. The luminaire should be replaced immediately if any crack or deterioration.

若灯具破损，请勿继续使用。

3. The Luminaire should be installed by a qualified electrician and wired in accordance with the latest IEC-60364-7-714 regulations or the national requirements.

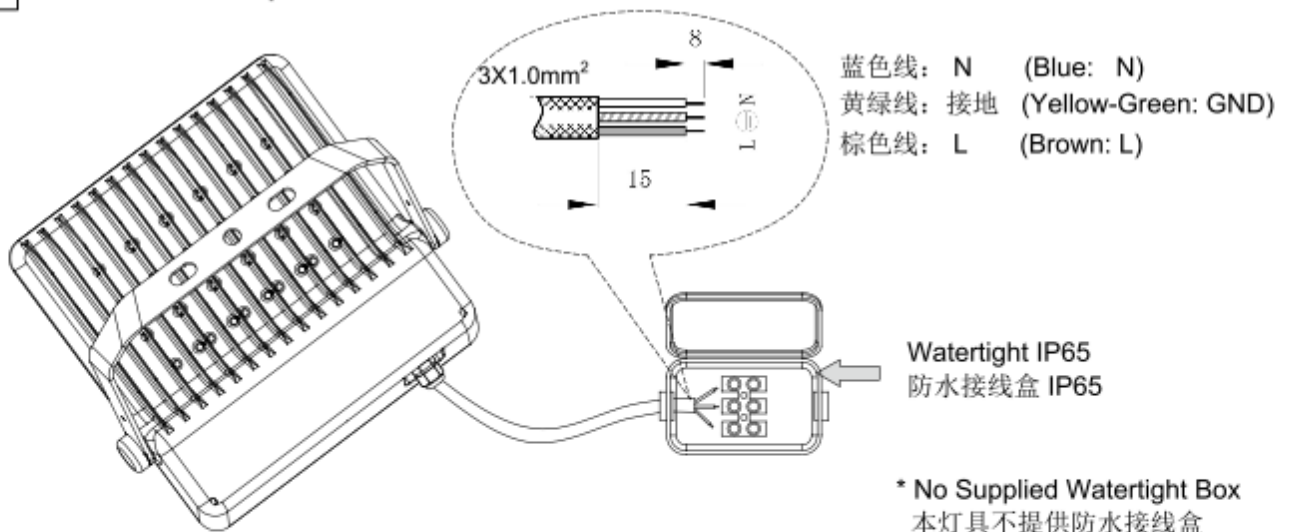
灯具应由有资格的电工安装，接线要符合IEC-60364-7-714标准或国家标准。

4. The connection of power cable on luminaire is type Y.

该灯具上的电源线缆属Y型连接。

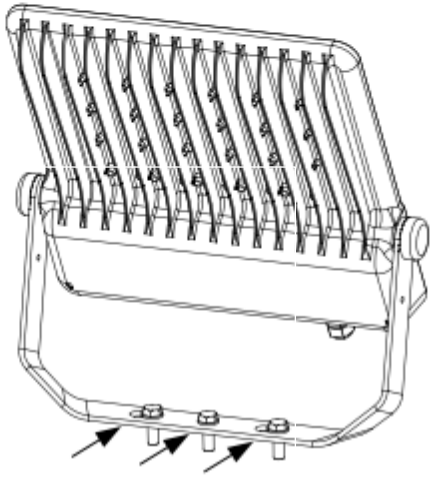
1

Connect the power cord 接电源线



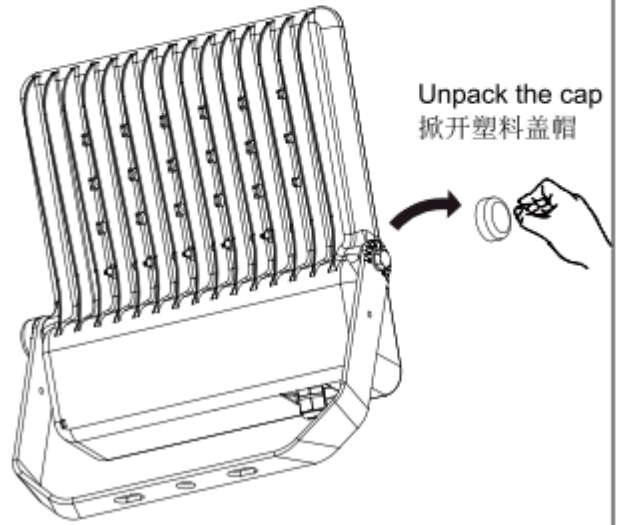
2

Install the luminaire according to the national regular and make sure it will not fall off.
按照国家标准安装固定好灯具，确保其不会掉落。

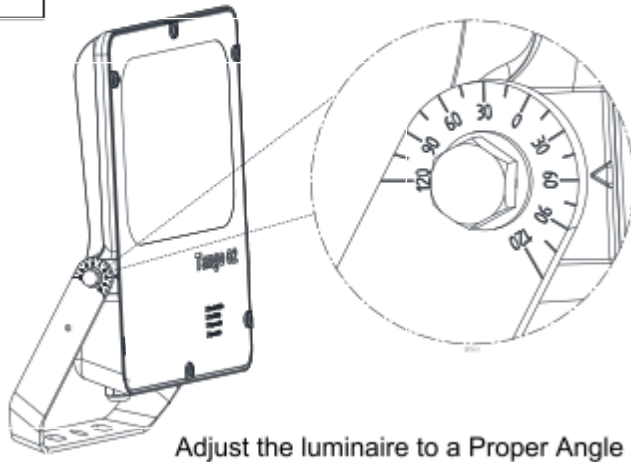


3

Unpack the cap
掀开塑料盖帽

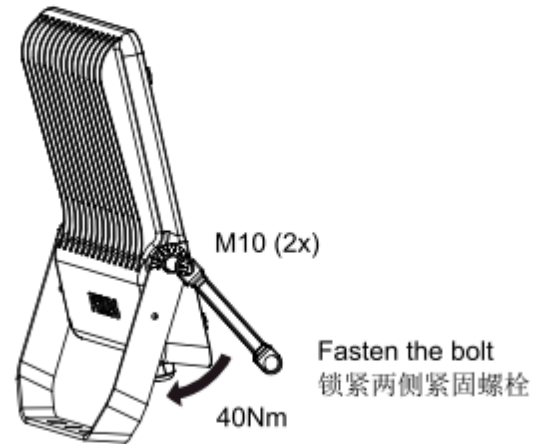


4



Adjust the luminaire to a Proper Angle
根据需要将灯具调整到合适的角度

5



M10 (2x)

Fasten the bolt
锁紧两侧紧固螺栓

40Nm

6

Cover the plastic cap on the bolts
盖上两侧塑料盖帽

